

## Reinventing the T-top



This is not your Dad's fishing boat T-top.

The new Stryker SG600 T-top features a sleek, modern style that will turn heads everywhere you go. But don't let this beauty fool you.

The Stryker is all brawn, featuring premium 2" diameter 6061 aircraft aluminum tubes with a marine grade anodized finish to withstand harsh environments. Capable of supporting hundreds of pounds, the Stryker offers the same durability and strength of custom and OEM-installed tops.

Attach all your favorite outrigger gear to any of the 7 mounting plates under the Stryker top, including a Stryker electronics box. The Sunbrella™ fade-resistant and stain-resistant canvas top provides plenty of shelter for you and your gear.

When you're ready to store or transport your boat, the Stryker folds down in minutes thanks to strategically placed quick-release knobs. Even on a trailer, the Stryker will fit in most standard sized garages.

The Stryker is designed for quick assembly and installation without compromising durability. The top is packaged in two conveniently sized cartons for fast shipping via UPS or FedEx. An online video provides step-by-step assembly and installation instructions for any center console boat. All that's needed are some basic household tools and a helping hand.

Watch a video about the Stryker T-top online at [www.strykerttops.com](http://www.strykerttops.com) and discover how the right design can change the way you look at fishing boat T-tops.



- Universal design, fits most consoles up to 50"
- Pre-fabricated, pre-welded construction
- Sunbrella fade-resistant and stain-resistant top
- Folds for easy storage and transporting
- No special tools required for assembly
- 5 year warranty

### Stryker SG600 Specifications

Overall Height	7' - 2 <sup>13</sup> / <sub>32</sub> "
Overall Width	5' - 1"
Minimum Frame Width	1' - 6"
Maximum Frame Width	4' - 2 <sup>23</sup> / <sub>64</sub> "
Weight	108 lbs.

### Tower Features

- Universal design fits consoles up to 50"
- Pre-fabricated, pre-welded construction
- Assembles and installs without welding
- Folds for easy storage and transporting
- 7 mounting plates for accessories
- 2" diameter 6061 grade aluminum tube

Marine grade 8μ clear anodized finish

Marine grade 316 stainless steel fasteners

Rubber-lined clamps to reduce vibration and prevent scratching

5 year warranty

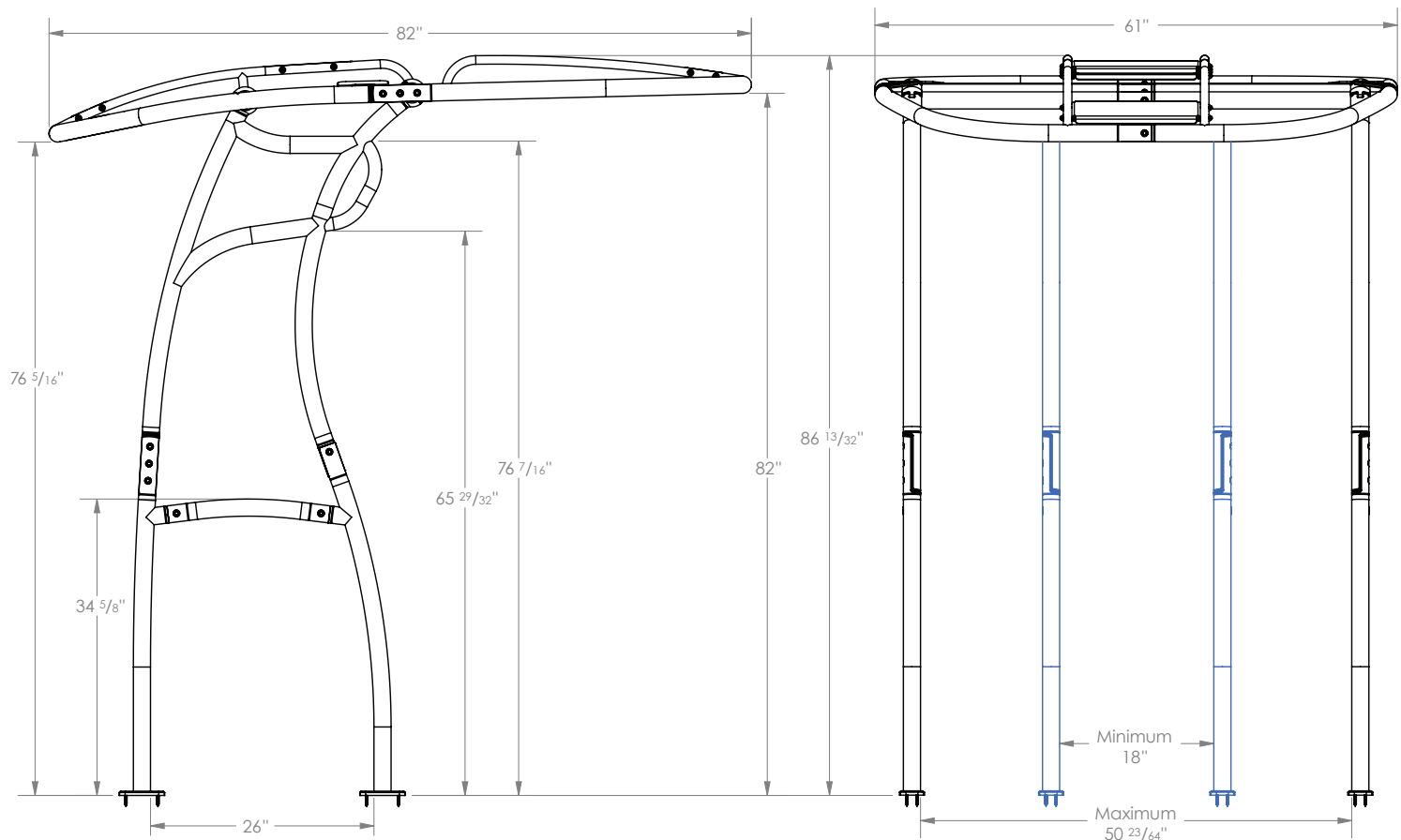
Part # SG600

### Canopy Features

USA Sunbrella™ fade-resistant and stain-resistant fabric for canopy

Premium marine grade fastening rope

Rope ends stiffened 2cm to simplify and reduce canopy assembly time



See how easy it is to assemble and install a Stryker T-top. Watch our exclusive video at [www.strykertops.com](http://www.strykertops.com)