

The universal T-Top designed for any budget



Shown with optional accessories

The Stryker SG300 T-Top is designed with the same style and rugged construction as our flagship SG500, but at a lower price. How did we do this?

First, the SG300 does not fold. The solid leg design means fewer parts and less manufacturing labor. This makes the SG300 an ideal solution for boat owners who do not need the added cost of a folding T-top.

Second, we removed the welded mounting plates on the SG300 to again save on parts and labor. The 2 inch diameter tubing still supports a variety of rod holders and other gear designed for tube mounting.

The SG300 is made of premium 2 inch diameter 6061 aircraft aluminum tubes with a marine grade

anodized finish to withstand harsh environments. Capable of supporting hundreds of pounds, the SG300 offers the same durability and strength of custom and OEM-installed tops.

Plus, the Sunbrella™ fade-resistant and stain-resistant canvas top provides plenty of shade.

The SG300 is designed for quick assembly and installation without compromising durability. The top is packaged in two conveniently sized cartons for fast shipping via UPS or FedEx.

An online video provides step-by-step assembly and installation instructions for any center console boat. All that's needed are some basic household tools and a helping hand.



Shown with optional accessories

- Universal design fits consoles up to 50"
- Pre-fabricated, pre-welded construction
- USA Sunbrella™ fade-resistant and stain-resistant fabric for canopy
- 2" diameter 6061 grade aluminum tube
- Marine grade 8μ clear anodized finish
- 5 year warranty

Stryker SG300 Specifications

Overall Height	6' - 11 ¹⁷ / ₆₄ "
Overall Width	5' - 3"
Minimum Frame Width	1' - 6"
Maximum Frame Width	4' - 2 ²³ / ₆₄ "
Weight	95 lbs.

Tower Features

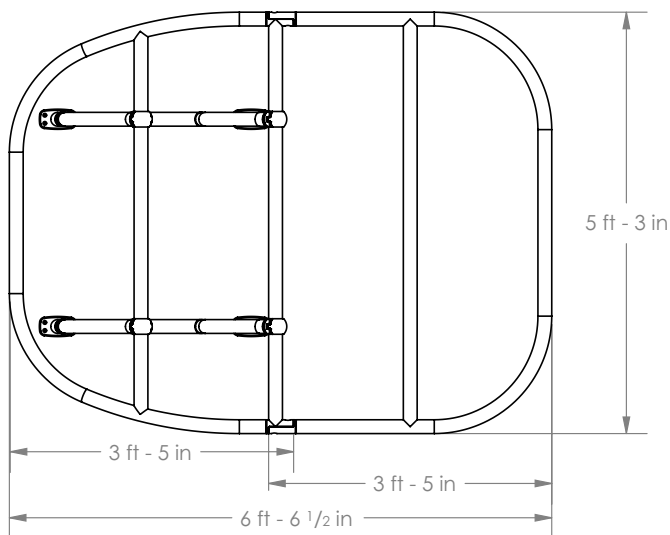
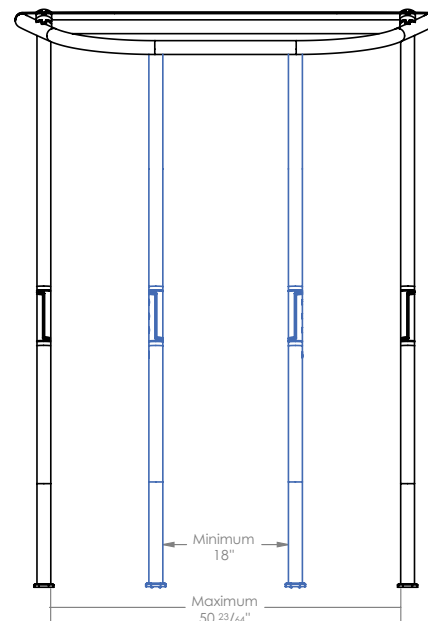
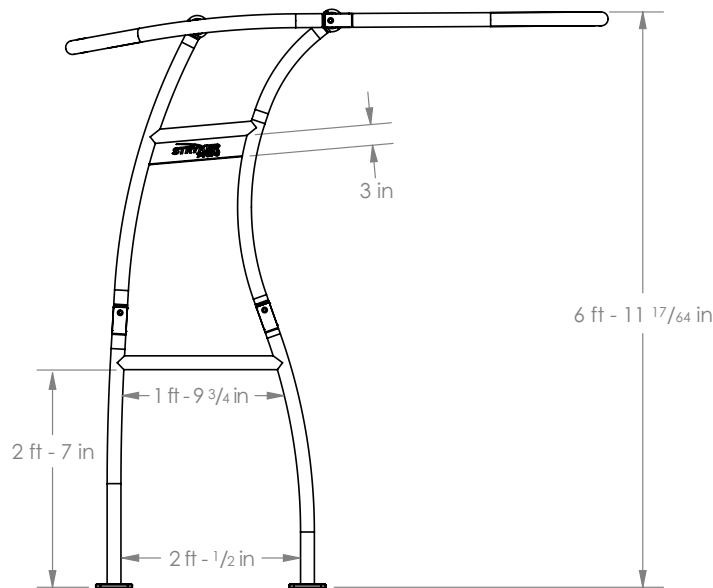
- Universal design fits consoles up to 50"
- Pre-fabricated, pre-welded construction
- Assembles and installs without welding
- 2" diameter 6061 grade aluminum tube
- Marine grade 8μ clear anodized finish

Marine grade 316 stainless steel fasteners

- Rubber-lined clamps to reduce vibration and prevent scratching
- 5 year warranty

Canopy Features

- USA Sunbrella™ fade-resistant and stain-resistant fabric for canopy
- Premium marine grade fastening rope
- Rope ends stiffened 2cm to simplify and reduce canopy assembly time



See how easy it is to assemble and install a Stryker T-top. Watch our exclusive video at www.strykerttops.com