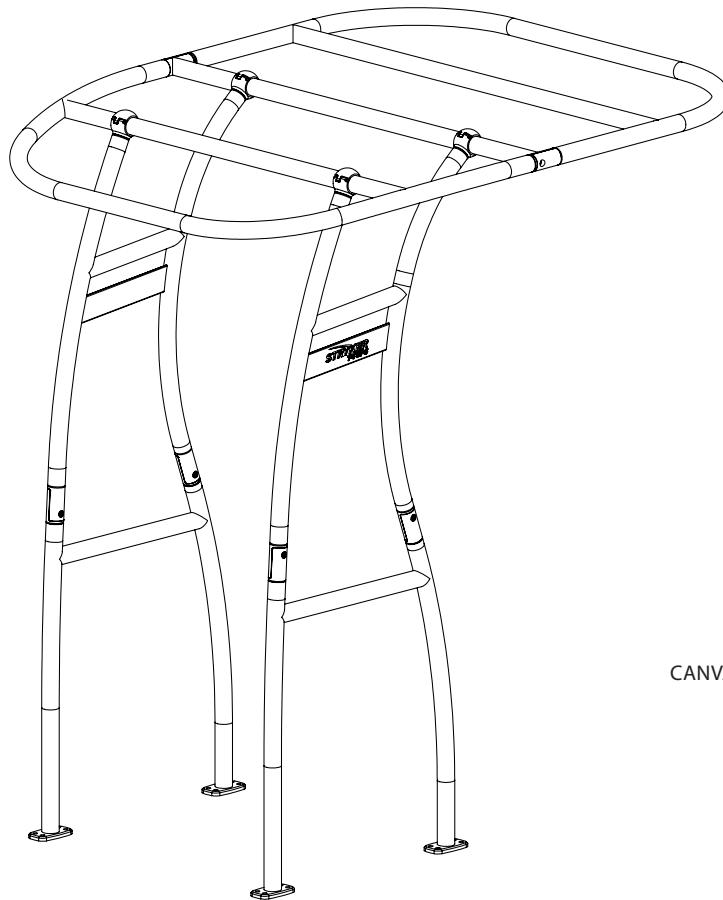




# SG300 T-TOP

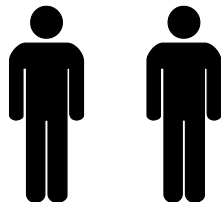
## INSTALLATION GUIDE



CANVAS NOT SHOWN FOR CLARITY

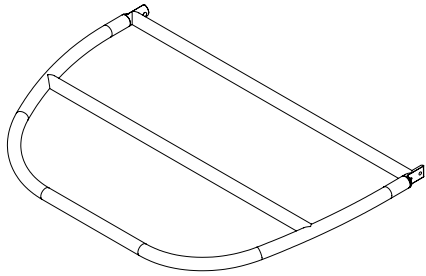
---

## INSTALLATION SUPPORT

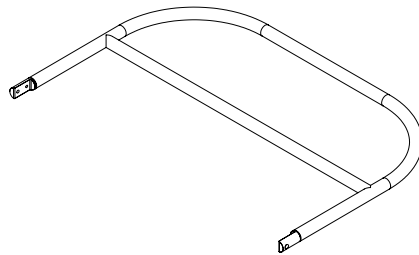


# STRYKER T-TOPS

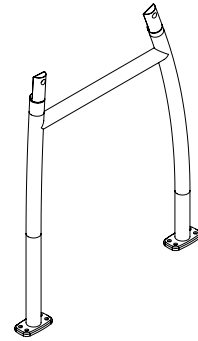
## PARTS LIST



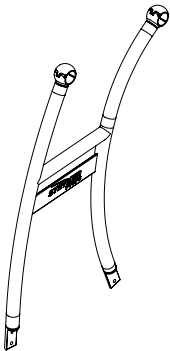
1x



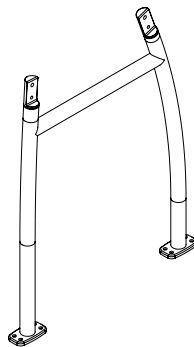
1x



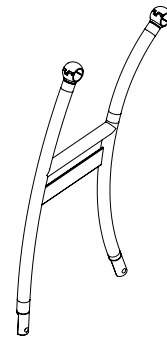
port 1x



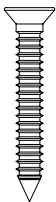
port 1x



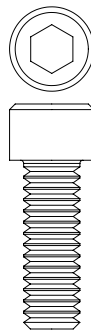
stbd 1x



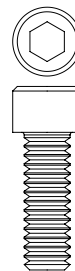
stbd 1x



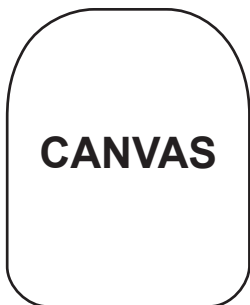
16x



1/2 INCH  
8x

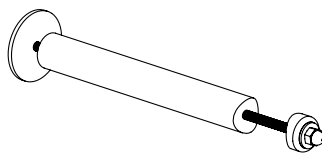


1/4 INCH  
8x



**CANVAS**

1x



2x



**CANOPY ROPE 1x**



**ZIP TIES 12x**

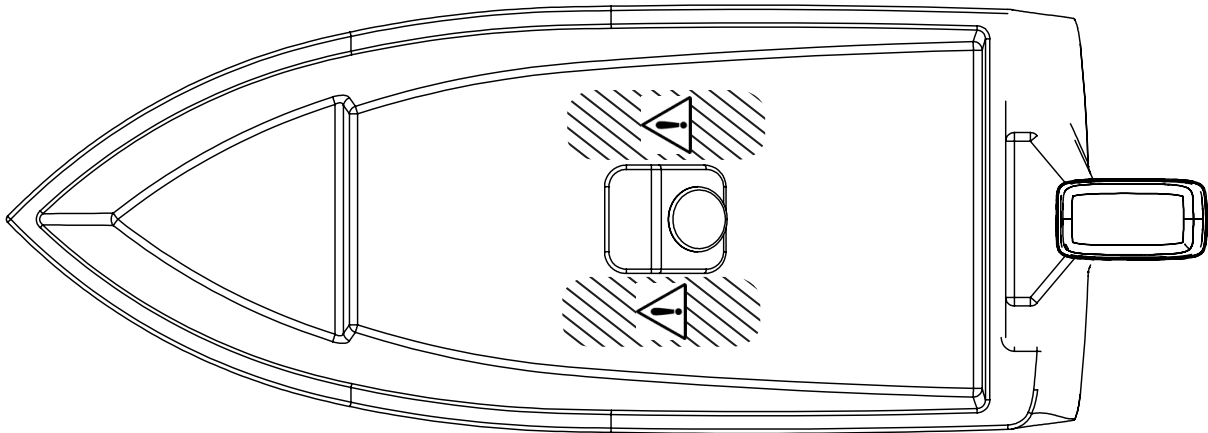
Note Zip Ties are recommended but not required. Zip Ties are NOT included.

# STRYKER T-TOPS

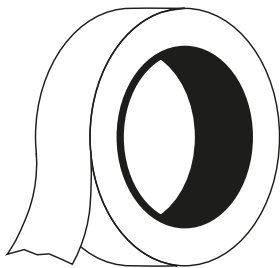
## CAUTION !



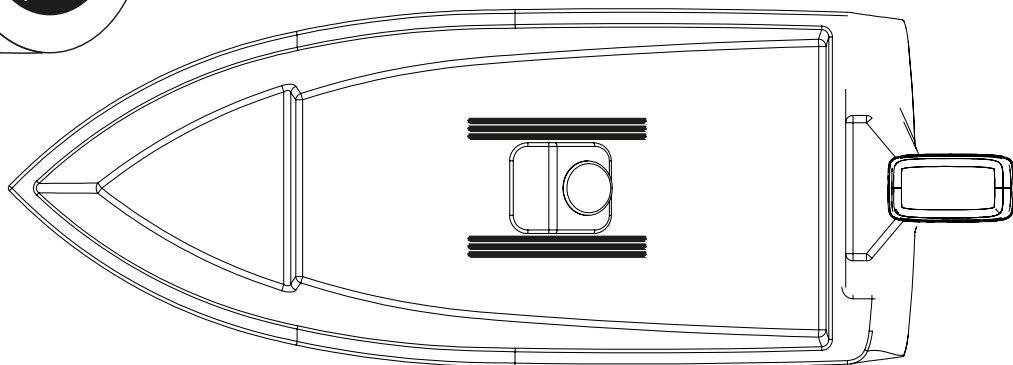
CAUTION!  
ALWAYS CHECK FOR FUEL / WATER TANKS  
AND WIRES BEFORE YOU DRILL INTO YOUR DECK.  
\* CONTACT BOAT MANUFACTURER IF UNSURE



## STEP 1



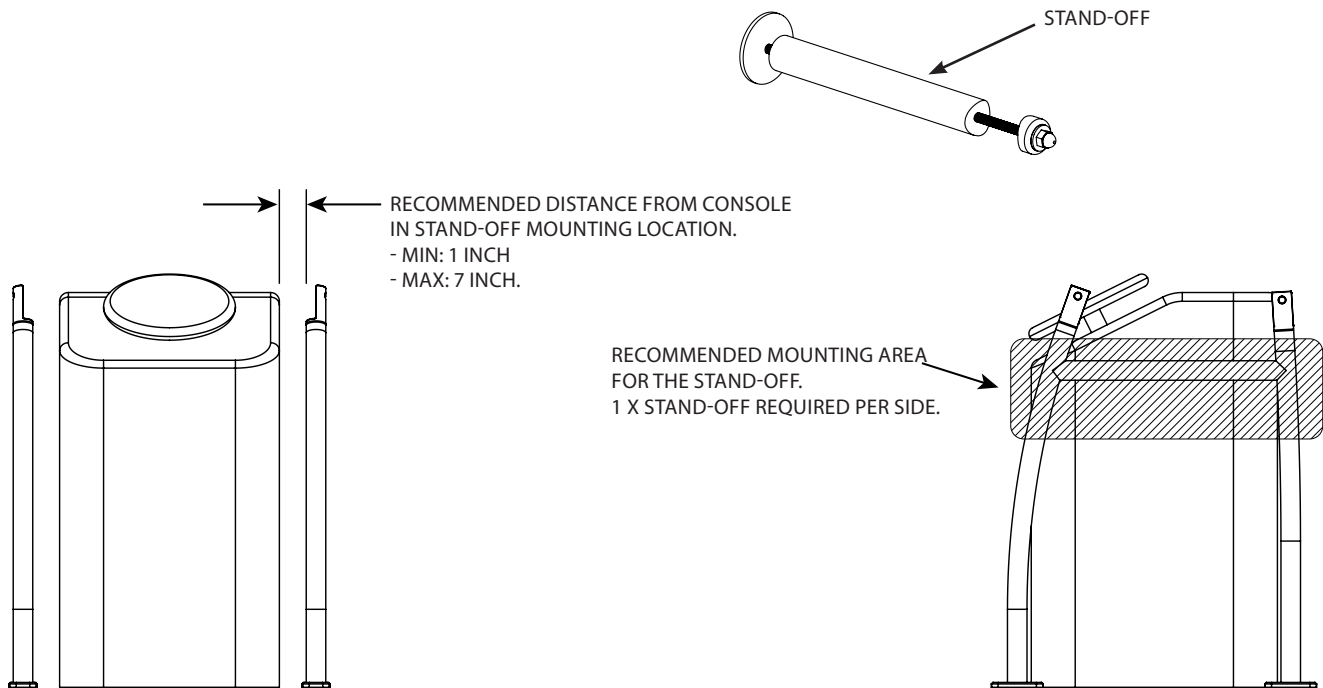
PLACE MASKING TAPE ON THE DECK OF THE BOAT (IN THE T-TOP MOUNTING LOCATION) TO PROTECT AGAINST SCUFFS AND SCRATCHES.



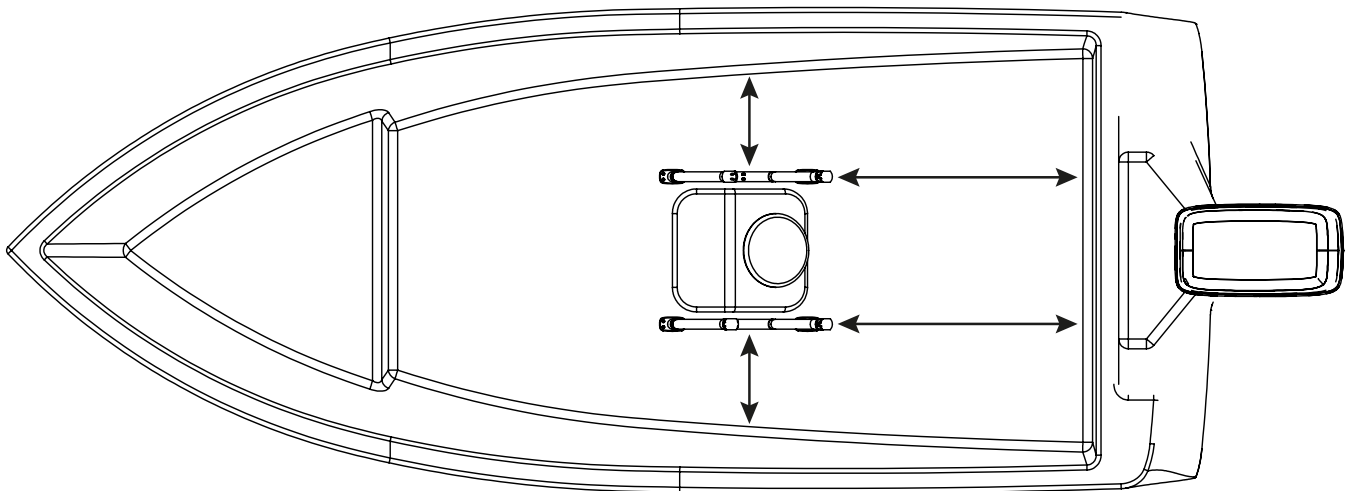
# STRYKER T-TOPS

## STEP 2 POSITIONING OF THE T-TOP SIDE SECTIONS

IMPORTANT NOTE: STAND-OFFS ARE USED TO PROVIDE ADDITIONAL SUPPORT TO THE T-TOP. THEY ARE INSTALLED BETWEEN THE CONSOLE AND THE LOWER HALF OF THE T-TOP SIDE SECTIONS. IF REQUIRED, STAND-OFFS WILL BE INSTALLED AT THE END OF THE T-TOP INSTALLATION PROCESS SO IT IS VERY IMPORTANT TO CONSIDER THEIR PLACEMENT NOW BEFORE CONTINUING TO THE NEXT STEP OF THE PROCESS.

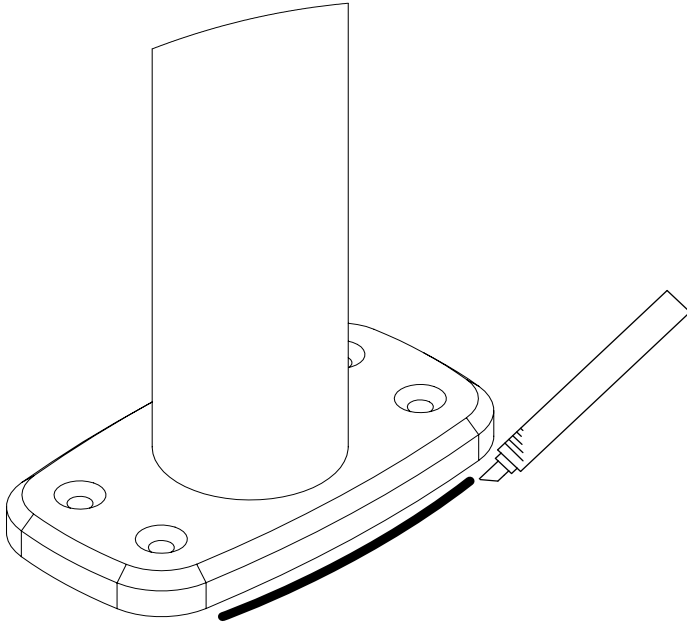


- POSITION THE LOWER HALVES OF THE SIDE SECTIONS ON THE DECK.
- MEASURE EQUAL DISTANCES EACH SIDE.
- IT IS IMPORTANT THAT BOTH SIDES HAVE EQUAL MEASUREMENTS FROM THE SIDES AND AFT OF THE BOAT.



# STRYKER T-TOPS

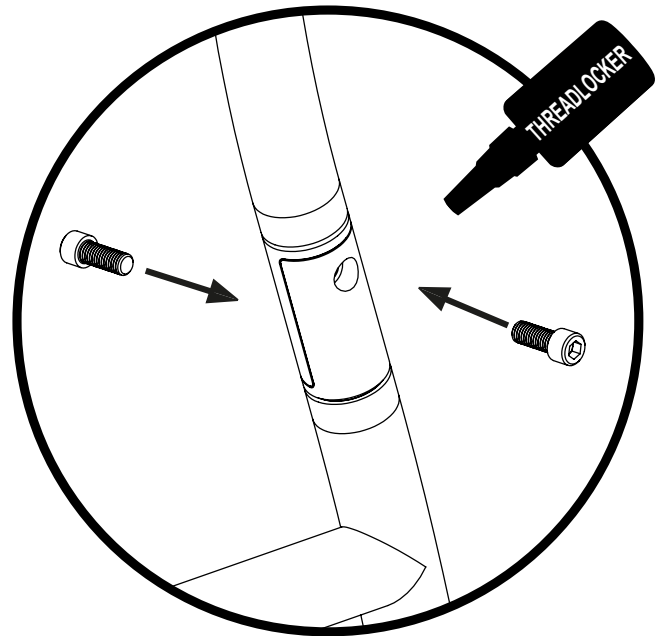
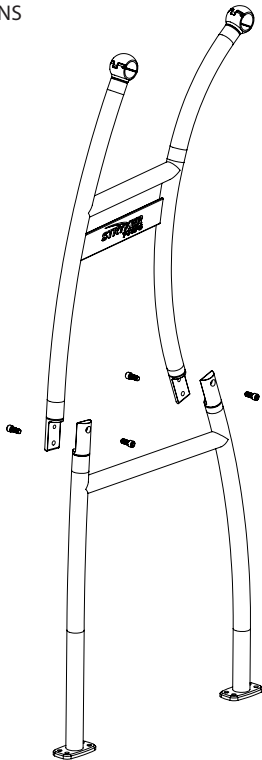
## STEP 3



USE A MARKER TO MARK OUT WHERE THE FEET ARE POSITIONED.  
NOTE: MAKE SURE THAT THE MARKER IS USED ON THE MASKING TAPE AND DOES NOT MARK UP THE DECK.

## STEP 4

ASSEMBLE THE SIDE SECTIONS

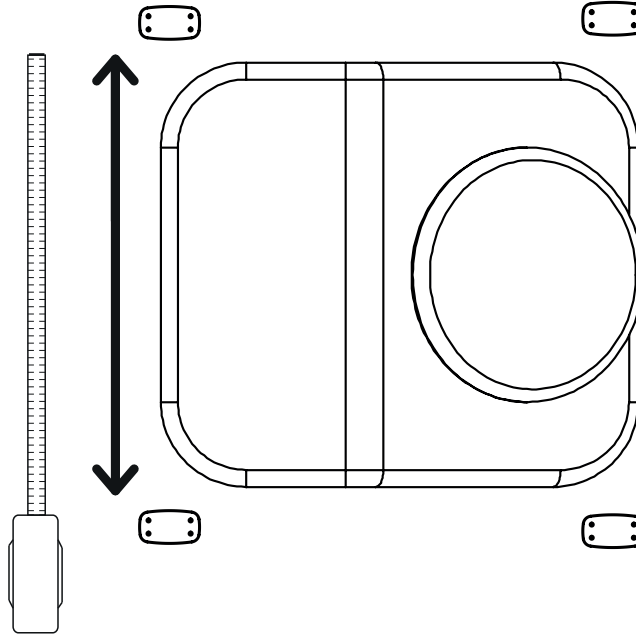


PORT & STARBOARD SIDES

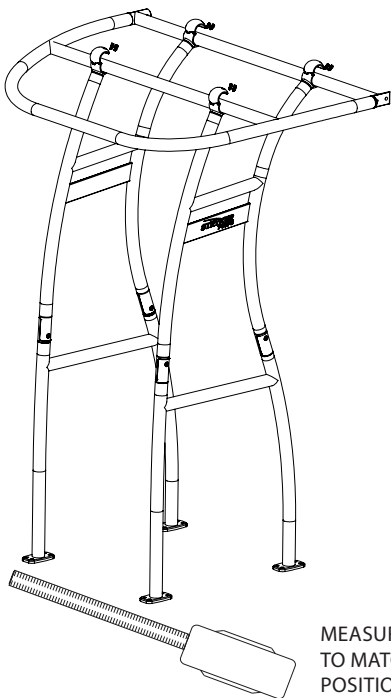
# STRYKER T-TOPS

## STEP 5

MEASURE THE WIDTH OF YOUR MARKED MOUNTING LOCATIONS. THIS WIDTH WILL THEN BE USED TO ASSEMBLE THE T-TOP SIDES TO THE CANOPY.

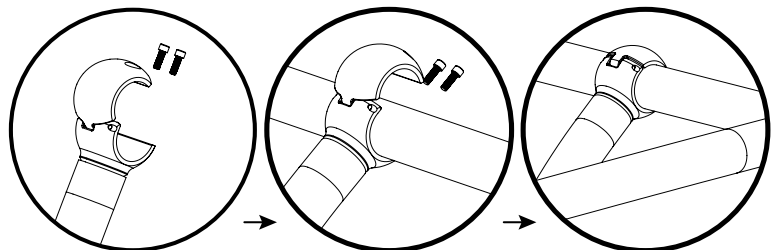


## STEP 5



NOTE: ASSEMBLE THE CANOPY TO THE SIDE SECTION WHILE ON LAND. THE ASSEMBLY WILL THEN BE WALKED ONTO THE BOAT AND PLACED IN THE MARKED LOCATION.

ATTACH FRONT HALF OF CANOPY



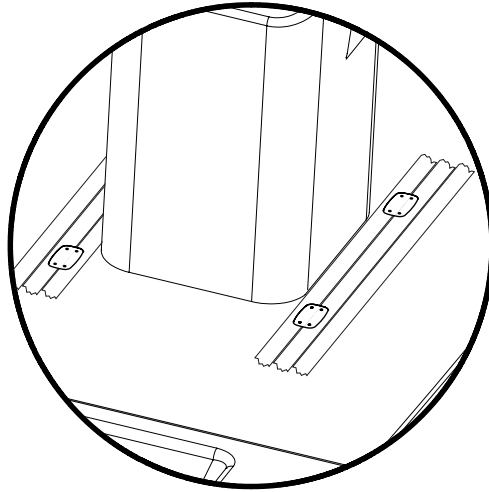
MEASURE WIDTH OF SIDES TO MATCH THE MOUNTING POSITION WIDTH

# STRYKER T-TOPS

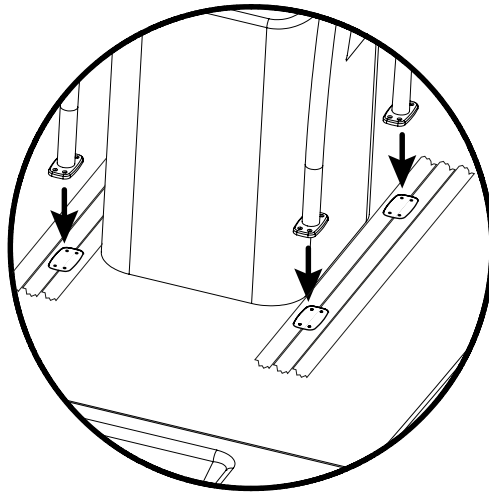
## STEP 6

LOWER T-TOP ASSEMBLY OVER CENTER CONSOLE. POSITION THE MOUNTING FEET OVER THE MARKED LOCATIONS.

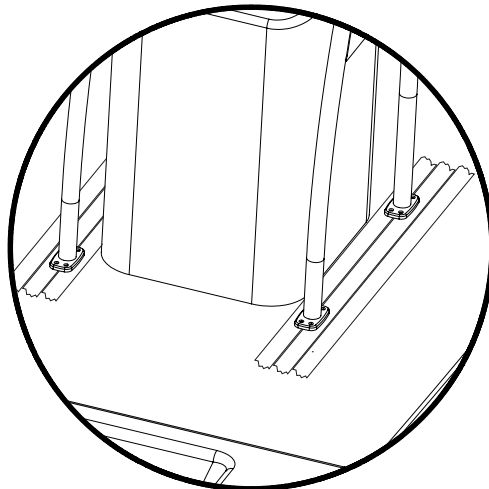
MARKED LOCATIONS



LOWER INTO POSITION

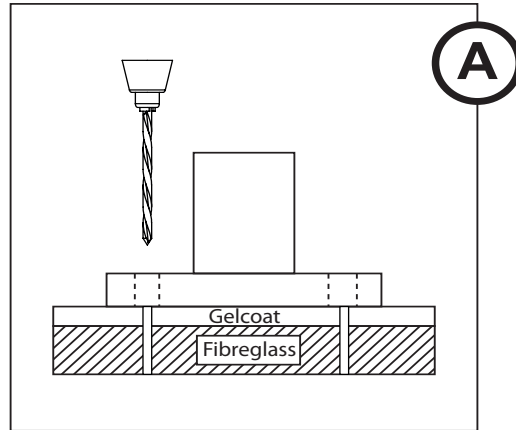


POSITION MOUNTING FEET  
OVER MARKED LOCATIONS

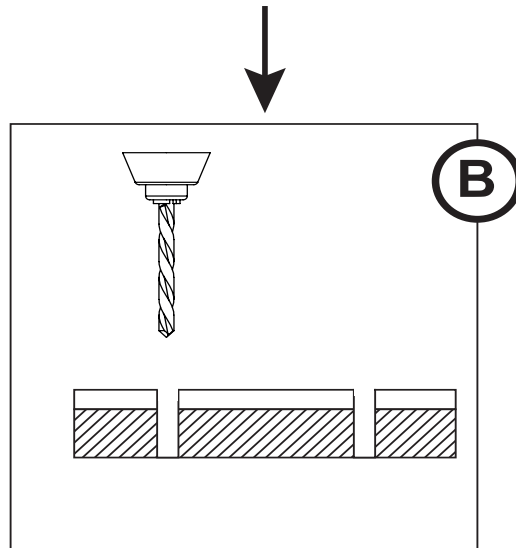


# STRYKER T-TOPS

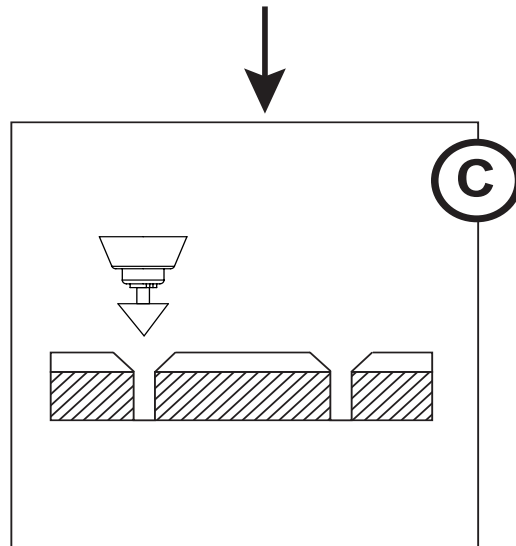
## STEP 7



DRILL PILOT HOLE WITH A SMALL DRILL BIT



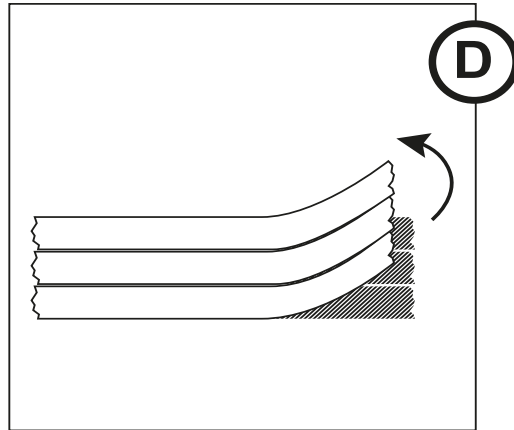
REMOVE T-TOP FROM THE MOUNTING LOCATION AND DRILL A LARGER HOLE FOR THE MOUNTING HARDWARE. DRILL SIZE = 25 (0.15" IN DIAMETER).



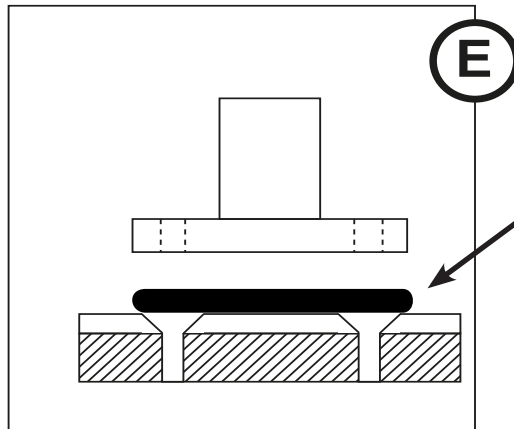
COUNTERSINK THE GELCOAT TO PREVENT STRESS CRACKING DURING INSTALLATION.

# STRYKER T-TOPS

## STEP 8

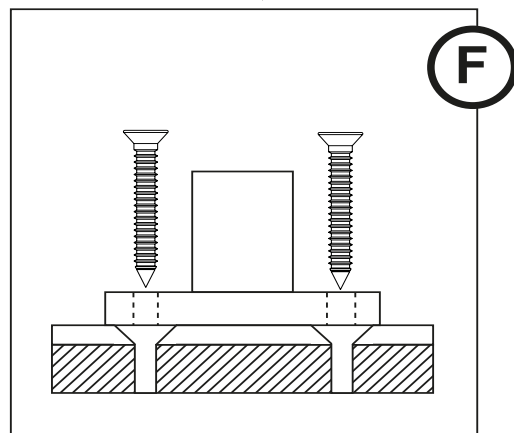


REMOVE MASKING TAPE.



APPLY MARINE GRADE SEALANT.  
WE RECOMEND: 3M 5200 MARINE  
ADHESIVE OR EQUIVALENT.

THEN REPOSITION THE T-TOP OVER  
THE SEALANT AND LOWER INTO  
PLACE.



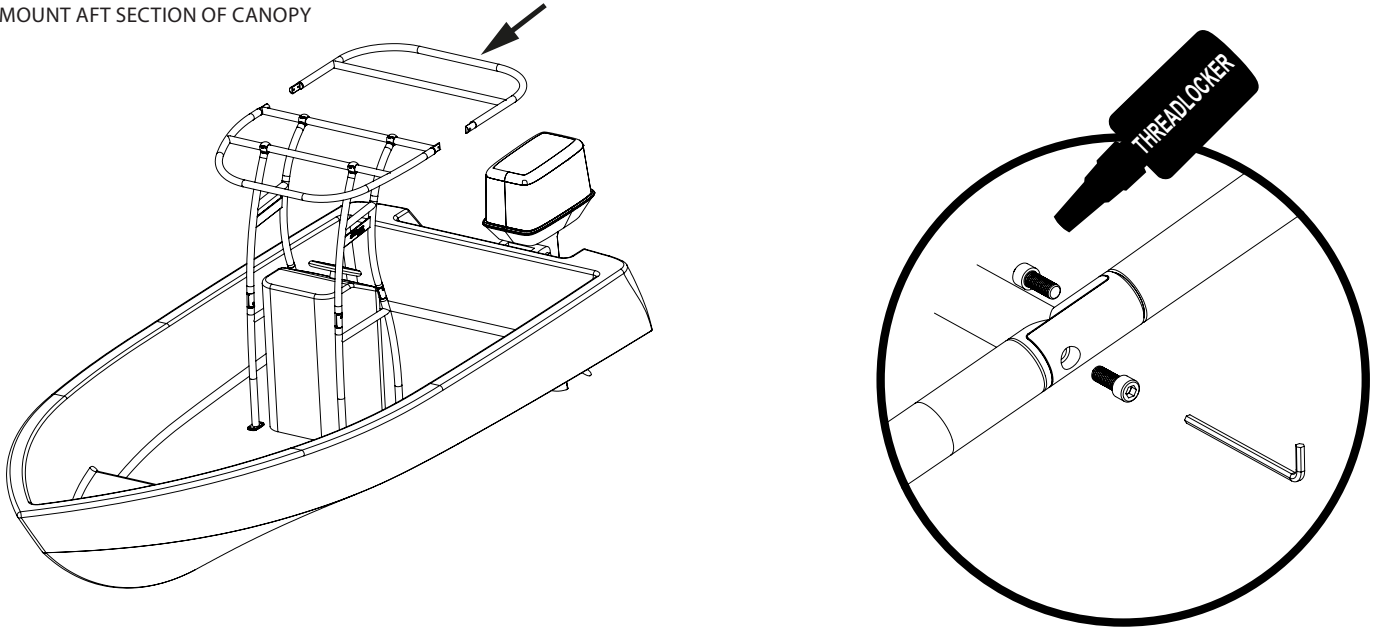
INSTALL SCREWS AND TIGHTLY FASTEN  
THE MOUNTING FEET TO THE DECK OF  
THE BOAT.

REMOVE EXCESS SEALANT FROM  
AROUND THE MOUNTING FOOT.

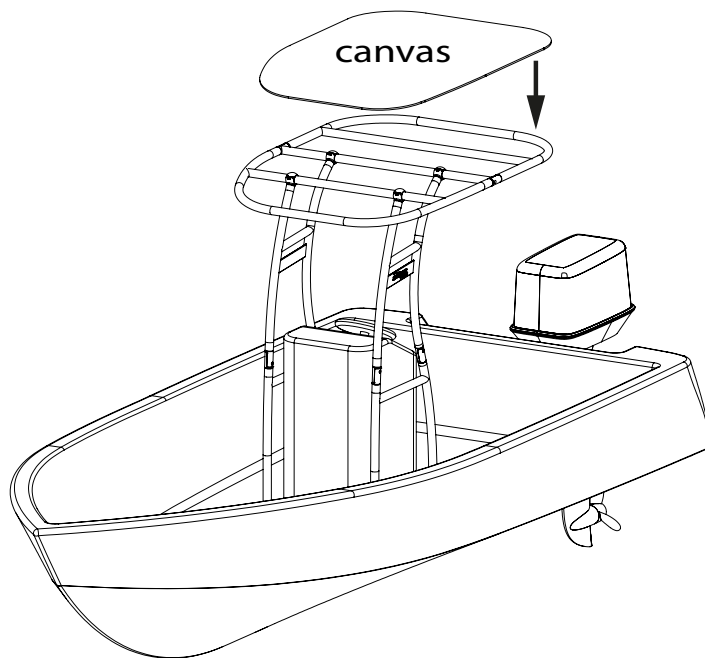
# STRYKER T-TOPS

## STEP 9

MOUNT AFT SECTION OF CANOPY

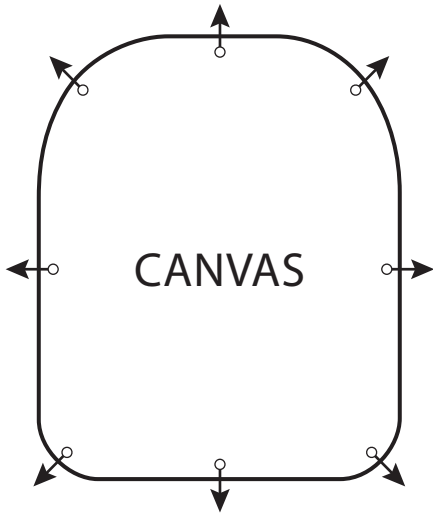


## STEP 10



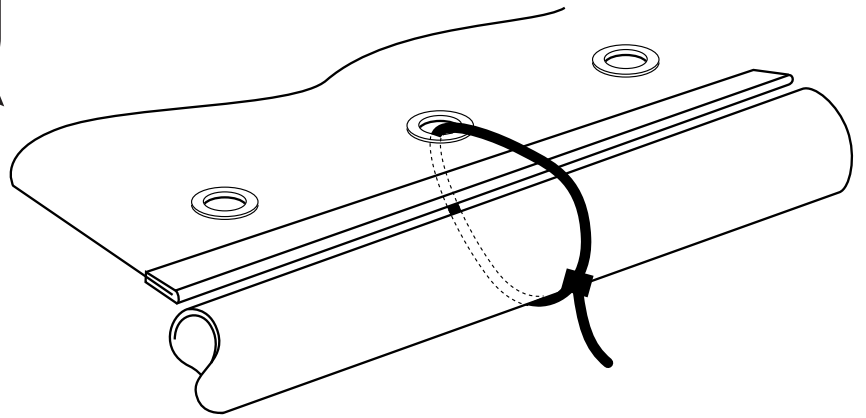
# STRYKER T-TOPS

STEP 11



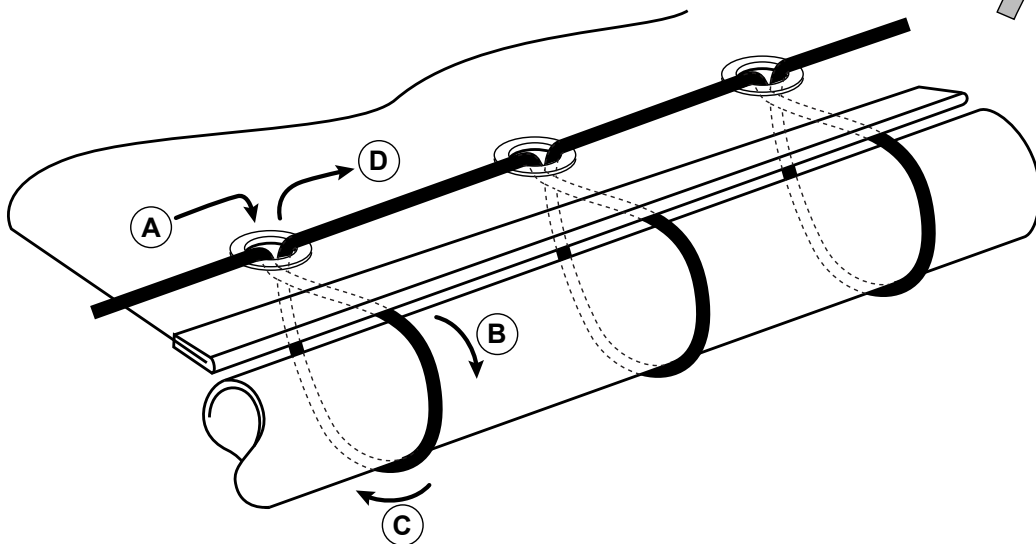
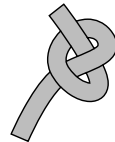
USE ZIP TIES TO FASTEN THE CANOPY IN PLACE BEFORE LACING IT TO THE FRAME.

TIP: USE THE ZIP TIES IN THE CORNERS TO CREATE TENSION IN THE CANOPY.

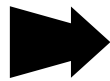


STEP 12

TIE A KNOT IN EACH END TO START AND STOP THE CORD.



# **STRYKER** **T-TOPS**



[www.strykertops.com](http://www.strykertops.com)

---

NOTE: IF YOUR T-TOP REQUIRES ADDITIONAL STABILITY PLEASE REFER TO THE STAND-OFF INSTALLATION GUIDE.